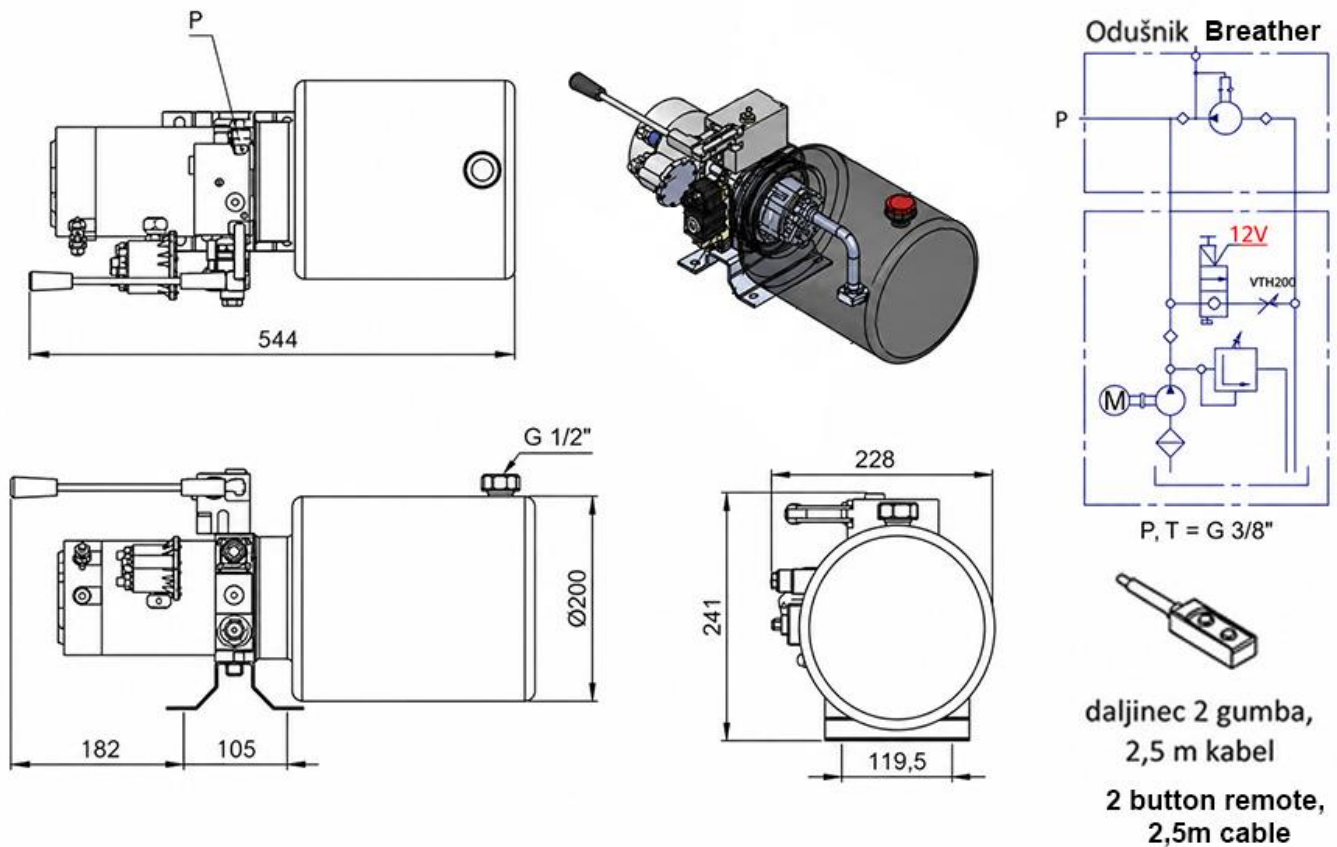
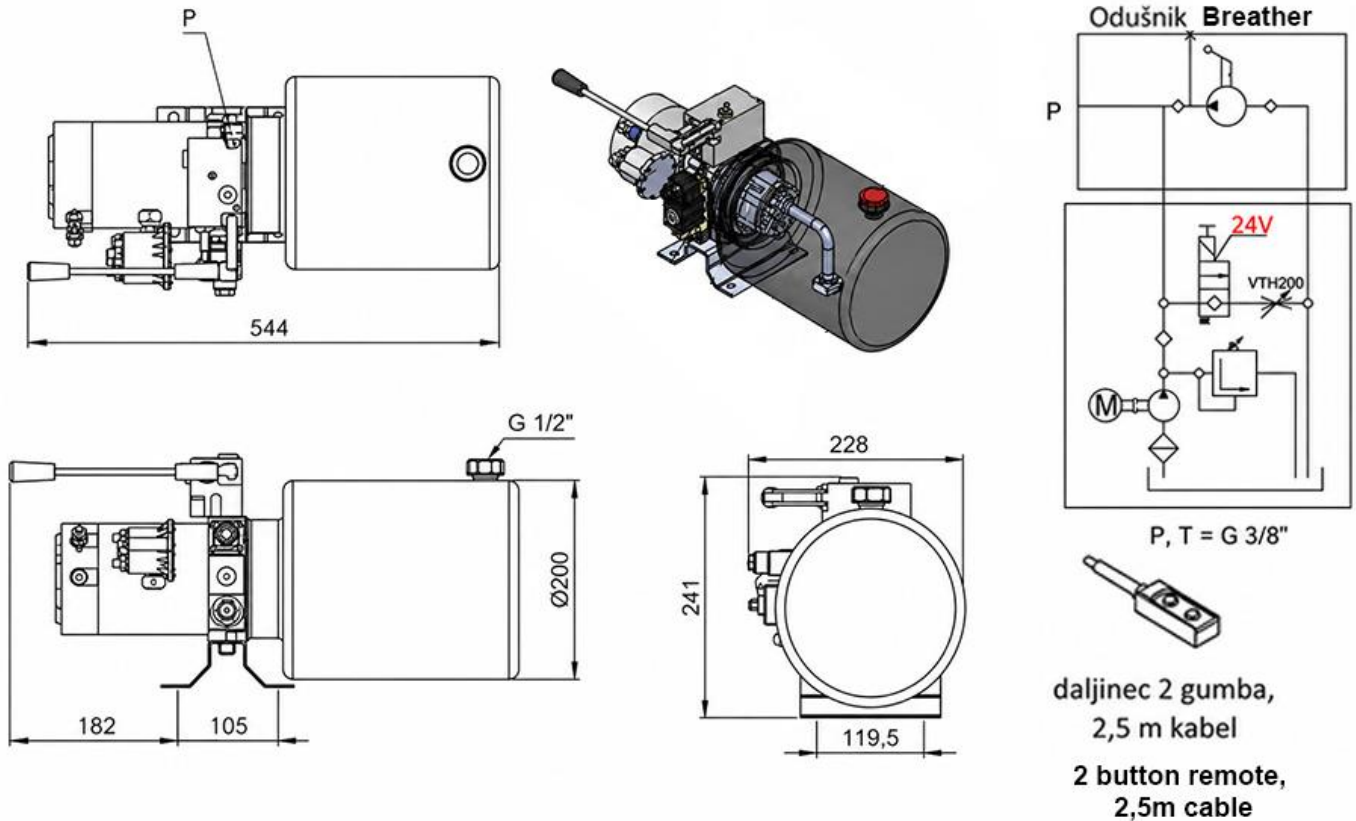


DATA SHEET – DIMENSIONS

20024: MINI HYDRAULIC POWER-PACK UNIT 12V DC - 1.6KW = 2.1CC - 8 LITERS - SINGLE-PHASE UNIT WITH HAND PUMP



20025: MINI HYDRAULIC POWER-PACK UNIT 24V DC - 2.2KW = 2.1CC - 8 LITERS - SINGLE-PHASE UNIT WITH HAND PUMP



CODE	VOLTAGE (V)	MOTOR POWER (kW)	MAX. PRESSURE (bar)	PUMP FLOW (cc)	OIL TANK CAPACITY (l)	FLOW OF POWER PACK (lit/min)	SPEED (vrt/min)
20024	12	1,6	155	2,1	8	5,6	2500
20025	24	2,2	210			5,8	

CIRCUIT DIAGRAM:

